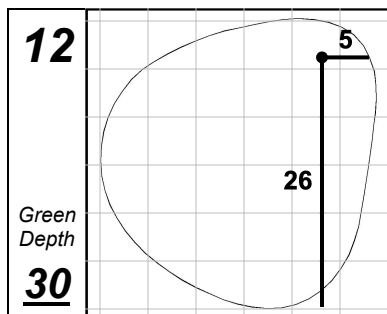
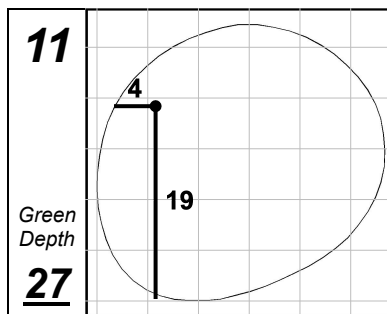
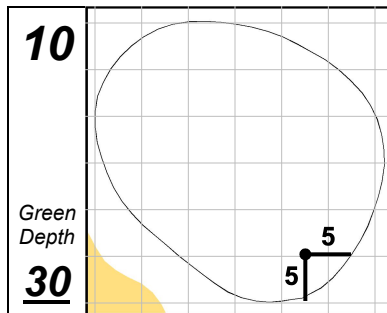
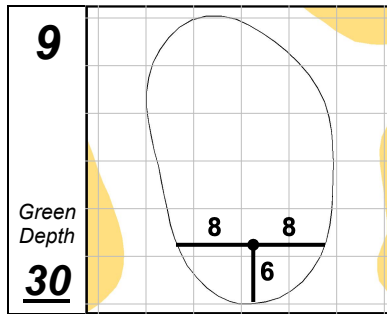
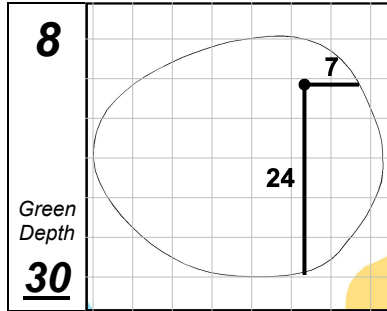
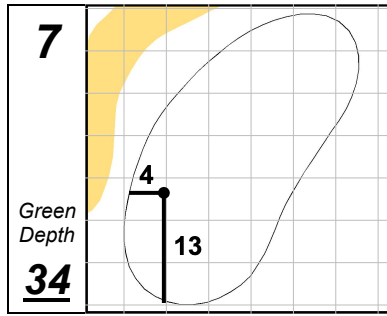


Wichita Open Benefitting KU Wichita Pediatrics



Crestview CC

